



MANITOU MT 1436 R PRIVILEGE

MT 1436 R PRIVILEGE

Lifting capacity3600 kg
at 500 mm from forks heels.
Tipping load at maximum reach :
with stabilizers.....1260 kg
Tear out force with bucket
to ISO 83137000 daN

Lifting height13.52 m
Times : unladen / loaded (in s)
Lifting16/16.2
Lowering.....13.5/13.2
Extension boom26.4/27.5
Retraction boom14.5/14
Crowd.....4.1
Dump.....3.5

Tyres400/80-24

Forks (mm)
Length1200
Width x thickness125 X 50
Maximum distance between forks1040
Carriage rotation126°

Multidisc brakes - hydraulically assisted on both axles

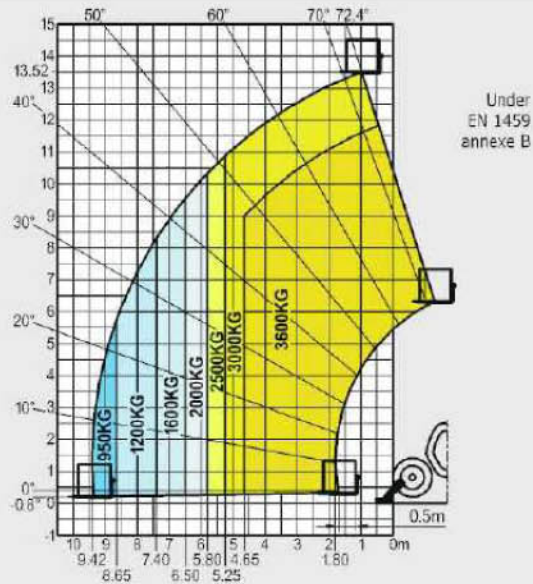
PERKINS Engine
Type1104C.44
Capacity4 cylindres - 4400 cm³
Power :
(ISO/TR 14396)87 HP/64 kW at 2200 rpm
Maximum torque.....308 Nm at 1400 rpm
Direct Injection
Water Cooling

Transmission.....Torque convertor
Electro-hydraulic reversing shift
4 speeds forward and reverse
Maximum travel speed (km/h).....25

Hydraulics
Pump.....gear type
pressure/capacity270 bars/103 l/mn

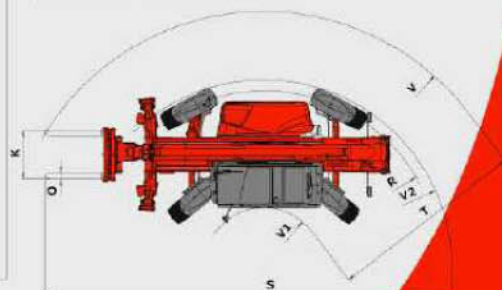
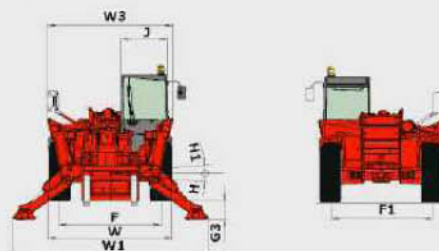
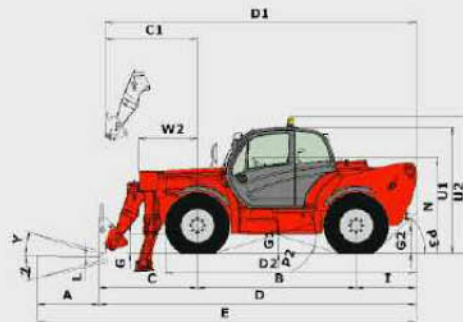
Capacities
Cooling system20 l.
Engine oil10.9 l.
Hydraulic oil.....135 l.
Transmission oil23 l.
Fuel tank.....140 l.

Weight unladen9475 kg
Overall width2.37 m
Overall height2.45 m
Turning radius (outside wheels)3.98 m
Overall Length6.13 m
Ground clearance0.38 m
Drawbar pull8400 daN



Under
EN 1459
annexe B

A	1200
B	3070
C	1905
C1	1790
D	6127
D1	6012
D2	4823
E	7327
F	1960
F1	1960
G	378
G1	361
G2	374
G3	349
H	9
H1	9
I	1152
J	892
K	1040
L	50
N	1849
O	125
P2	33
P3	43
R	3779
S	8610
T	4183
U1	2446
U2	2634
V	5468
V1	1285
V2	3981
W	2365
W1	3793
W2	1134
W3	2422
Y	12
Z	114



The specifications contained herein shall not bind the manufacturer and are subject to change without notice. This equipment described in this leaflet may be standard, optional, or unavailable, depending on the version. For more details, contact your MANITOU dealer.

WINNER HANDLING

SUSSEX: 01903 230700

SURREY: 01483 456789

EMAIL: SALES@WINNERHANDLING.CO.UK