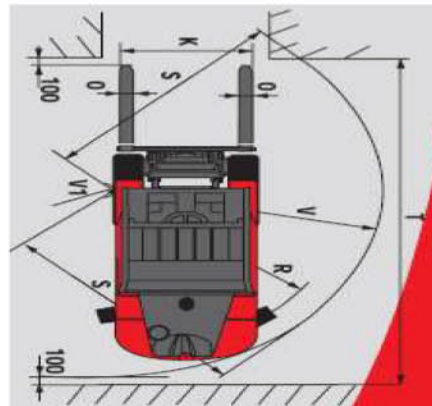
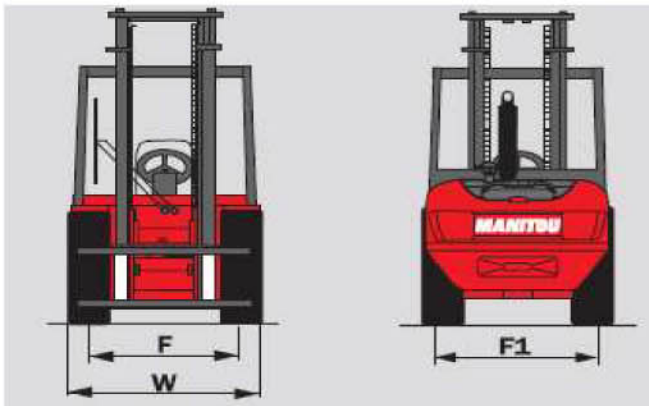
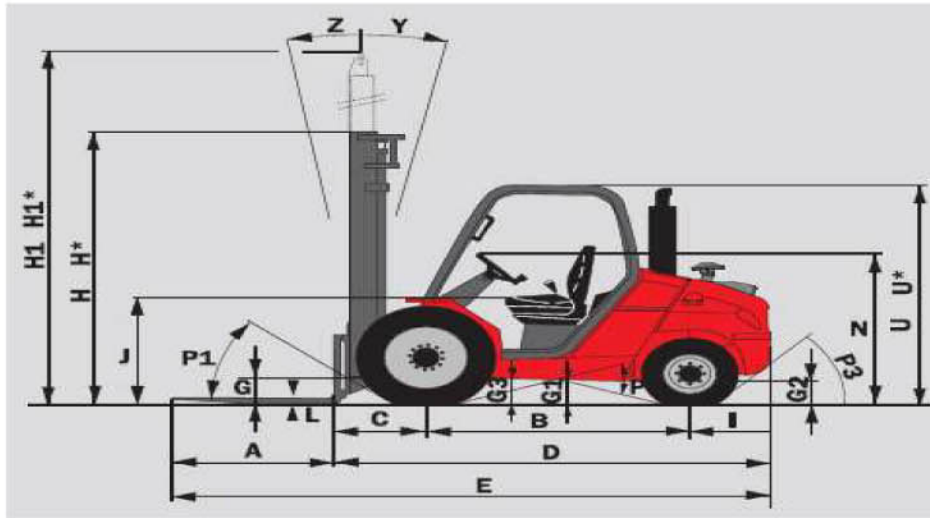


MANITOU MSI 25 T



A	1100
B	1800
C	625
D	2945
E	4045
F	1046
F1	1102
G	270
G*	240
G1	260
G1*	260
G2	215
G2*	230
G3	270
H	2300
H*	1950
H1	4131
H1*	4470

I	520
J	1025
K	1260
L	40
N	1450
O	100
P1	49,5°
P2	40,5°
P3	44°
R	2310
S	2545
T	4525
U	2105
U*	1990
V	2600
V1	150
W	1323
Y	12°
Z	10°

WINNER HANDLING

SUSSEX: 01903 230700

SURREY: 01483 456789

EMAIL: SALES@WINNERHANDLING.CO.UK

MANITOU **MSI 25 T**



Load capacity

at 500 mm load centre

MSI 20 T/G.....	2000 kg
MSI 25 T/G.....	2500 kg
MSI 30 T/G.....	3000 kg
MSI 35 T.....	3500 kg



Standard lifting height3.30 m



Tyres

Front.....	275/70 R 22,5 RHS
Rear.....	7.00 x 12 14 PR IC 40



Forks (mm)

Length.....	1100
Width x thickness.....	100 x 45
Maximum space between forks.....	1260



Hydraulic brakes



Kubota Turbo engine (Euro III)

Type.....	V 2403-M-T- E3B (Interim Tier 4/Stage III A)
Capacity.....	4 cylinders 2434 cm ³
Power (ISO TR 14396).....	60 HP/44 kW
Maximum torque.....	165 Nm at 1600 t/mn
Direct injection	
Water cooling	

Toyota LPG engine

MSI 20 G/25 G/30 G.....	Type: 4 Y
Capacity.....	4 cylinders 2237 cm ³
Power (ISO TR 14396).....	53 HP/39 kw
Maximum torque.....	162 Nm at 1800 r.p.m.



HYDROSTATIC REXROTH Transmission

Wheel drive.....	2
Electro-magnetic reversing shift	
Speeds forward/reverse.....	1/1
Maximum travel speed.....	20 km/h
Travelling up a slope when unloaded:	
MSI 20/25/30/35 T.....	33/31/24/29%
Travelling up a slope when loaded:	
MSI 20/25/30/35 T.....	37/32/29/29%



Hydraulic system

Steering pump.....	125 bars/77 l/mn
--------------------	------------------



Capacities

Cooling system.....	10 l.
Engine oil.....	9.5 l.
Hydrostatic transmission.....	95 l.
Fuel tank.....	73.5 l.



Weight (with forks)

MSI 20/25/30/35 T.....	3860/4160/4820/4980 kg
MSI 20/25/30 G.....	3470/4045/4425 kg
Overall width	1.32 m
Overall height (mast lowered)	2.30 m
Overall length	4.04/4.04/4.08/4.13 m
Ground clearance	215 mm

WINNER HANDLING

SUSSEX: 01903 230700

SURREY: 01483 456789

EMAIL: SALES@WINNERHANDLING.CO.UK