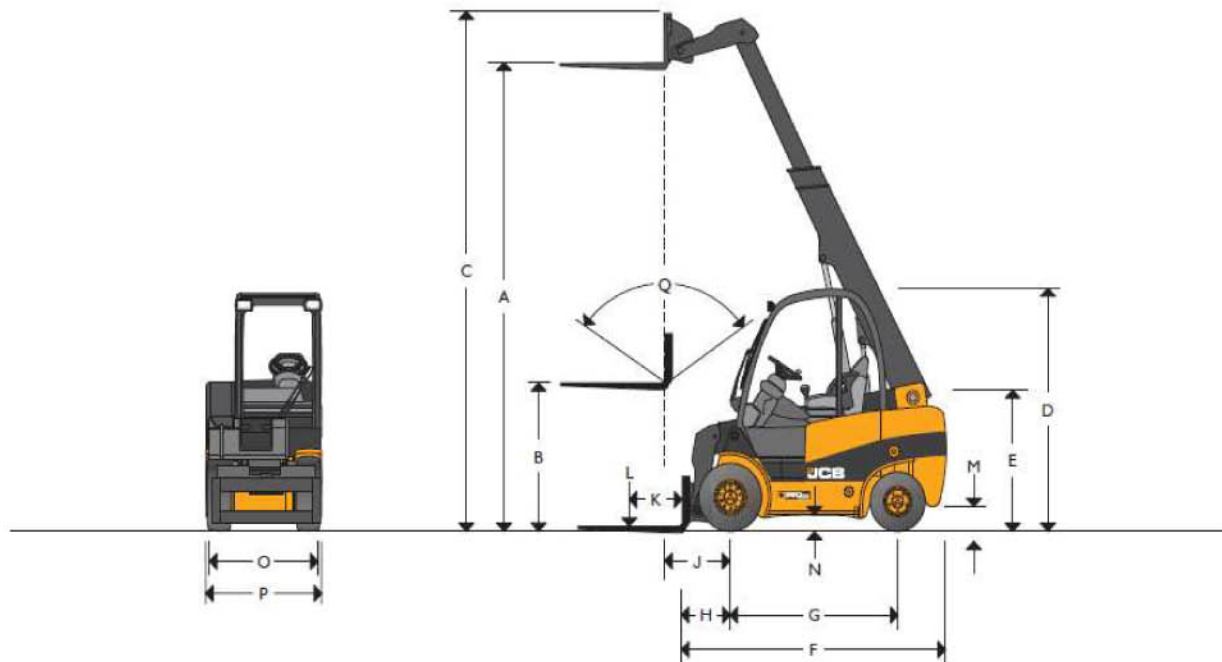




TELETRUK

TLT25/TLT25HL



A	Lift height	mm	4100	J	Distance from c/l of front axle to fork face	mm	700
B	Free lift (standard)	mm	1424	K	Load centre	mm	500
C	Height boom extended	mm	4580	L	Lift capacities (with sideshift)	kg	2500
D	Height of overhead guard (std/low)	mm	2190/2090	M	Ground clearance (lowest point)	mm	115
E	Height of operator's seat (std/low)	mm	1086/1066	N	Ground clearance wheelbase centre	mm	140
F	Length to fork face	mm	2625	O	Fork carriage width	mm	1100
G	Wheelbase	mm	1700	P	Maximum width of machine	mm	1175
H	Distance from c/l of front axle to fork face	mm	500	Q	Carriage tilt total* F/B variable through lift arc	degrees	111*

WINNER HANDLING

SUSSEX: 01903 230700

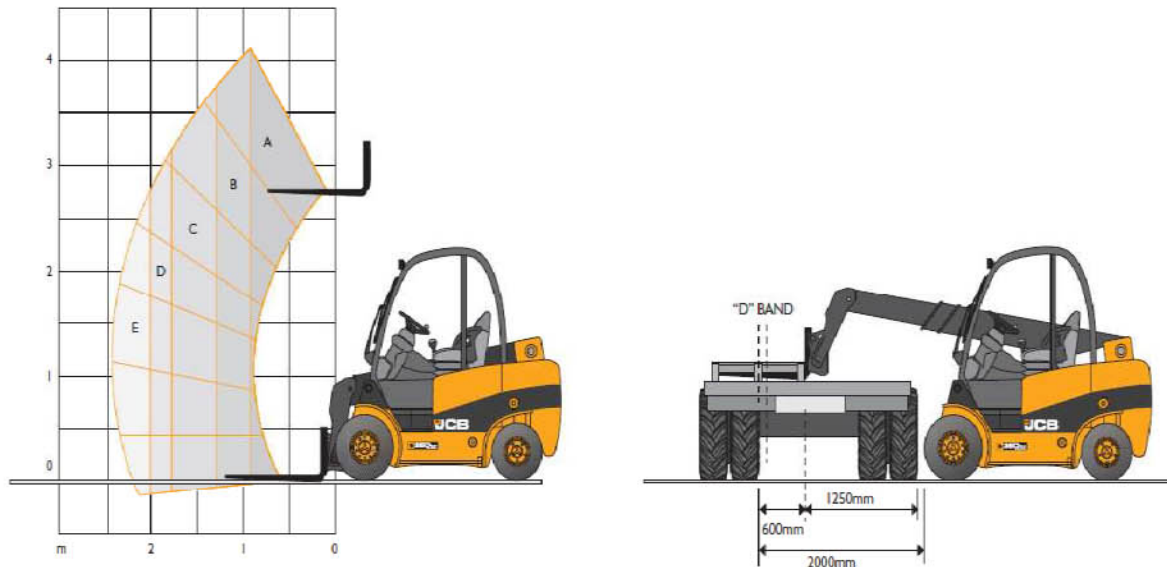
SURREY: 01483 456789

EMAIL: SALES@WINNERHANDLING.CO.UK



TELETRUK

TLT25/TLT25HL



Capacity bands	TLT 25
A	2500kg
B	2000kg
C	1500kg
D	1275kg
E	1000kg

Model	TLT25/25HL	
Engine type	Diesel/LPG	
Engine manufacture	D-JCB/G-G.M.	
Engine model	D-404 2.2/G-3.0 L4	
Engine output (gross power)	kW	D-35.6/G-43
Rated rpm	D-2600/G-2600	
Number of cylinders	D-4/G-4	
Cubic capacity	cm ³	D-2200/G-2966
Working pressure for attachments	bar	170
Oil flow for attachments	l/min	70
Maximum reach ground level (500mm load centre)	mm	2230
Maximum reach boom horizontal (500mm load centre)	mm	2390
Turning radius	mm	2440
Aisle width 90° stacking 800 x 1200/1000 x 1200	mm	3940/4140

Weight unladen	kg	D-4220/G-4280 D-4340/G-4400
Travel speed (standard)	km/h	20
Gradeability (laden/unladen)	%	25/21
Transmission		TCR/LT.
Park brake type		Hand
Shovel rated capacity	m ³	0.6
Shovel struck capacity	m ³	0.5
Shovel dump height (30°)	mm	2400
Shovel rollback angle at ground	degrees	37
Shovel width	mm	1385
Tyres PPS (semi-solid), L (pneumatic)		PPS/L
Tyre size front (standard)		7.00 x 12
Tyre size rear (standard)		6.00 x 9

WINNER HANDLING

SUSSEX: 01903 230700

SURREY: 01483 456789

EMAIL: SALES@WINNERHANDLING.CO.UK