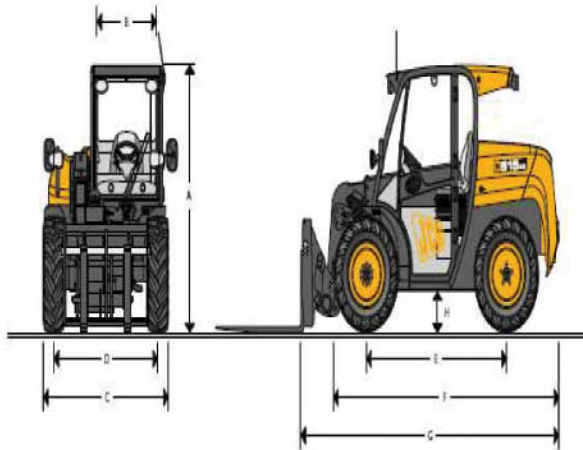




MAX. PAYLOAD: 1.5 tonnes (3307 lb) MAX. LIFT HEIGHT: 4 metres (13ft 1in) MAX. HORSEPOWER: 36.8 kW (50hp)



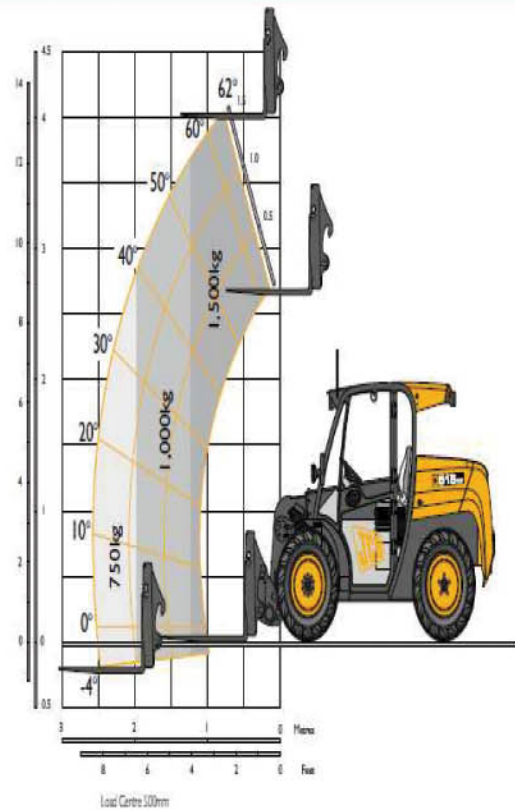
STATIC DIMENSIONS

Machine model	515-40	
A Overall height	m (ft-in)	1.80 (5-11)
B Inside width of cab	m (ft-in)	0.87 (2-10)
C Width over tyres	m (ft-in)	1.56 (5-1)
D Front track	m (ft-in)	1.30 (4-3)
E Wheel base	m (ft-in)	1.75 (5-9)
F Overall length to front of tyres	m (ft-in)	2.80 (9-2)
G Overall length to front of carriage	m (ft-in)	3.23 (10-7)
H Ground clearance	m (ft-in)	0.24 (0-10)
Outer turn radius over tyres	m (ft-in)	2.80 (9-2)
Weight	kg (lb)	3480 (7672)
Tyres	traction	255/75-15.3
	industrial	10.0/75-15.3
	semi-turf	10.0/75-15.3

LIFT PERFORMANCE

Machine Model	Compact Loadall Quickhitch		Skid Steer Quickhitch	
	515-40		515-40	
Lift capacity at full height	kg (lb)	1500 (3307)	1500 (3307)	
Lift capacity at full reach	kg (lb)	750 (1653)	750 (1653)	
Payload at 2.0m boom extension	kg (lb)	1000 (2205)	1000 (2205)	
Max. lift height	mm (ft-in)	4045 (13-3)	4060 (13-4)	
Reach at max. lift height	mm (ft-in)	460 (1-6)	380 (1-3)	
Maximum reach forward	mm (ft-in)	2535 (8-4)	2455 (8-6)	

LIFT PERFORMANCE



LOADER PERFORMANCE

Machine Model	Compact Loadall Quickhitch		Skid Steer Quickhitch	
	515-40		515-40	
Shovel rated capacity	m ³ (ft ³)	0.48 (17)	0.37 (13)	
Breakout force	kgf (lb)	3368 (7425)	3569 (7868)	
Dump height (max)	mm (ft-in)	3662 (12-0)	3663 (12-0)	
Dump angle at max height	degrees	30	35	
Loadover height (max)	mm (ft-in)	4045 (13-3)	4015 (13-2)	
Rollback angle at ground	degrees	35	30	
Carriage rotation angle (total)	degrees	131	131	
Standard bucket width	mm (ft-in)	*1620 (5-4)	*1720 (5-7)	

* Other sizes available

WINNER HANDLING

SUSSEX: 01903 230700

SURREY: 01483 456789

EMAIL: SALES@WINNERHANDLING.CO.UK



ENGINE

		515-40
Model		Deutz D2009L04
Displacement	litres	2.3
Fuel		Diesel
Cooling		Liquid
Bore	mm (in)	90 (3.5)
Stroke	mm (in)	90 (3.5)
Gross power @ 2800 rpm		
ISO 14396	kW (hp)	35.8 (50)
Gross torque @ 1800 rpm		
ISO 14396	Nm (lbf ft)	46 (07.68)
Emission certification		EC Stage IIIA/USA EPA Tier 3
Engine oil service intervals		500 hours

TRANSMISSION

Hydrostatic transmission.

Closed loop variable displacement piston pump with twin displacement transmission wheel motors.

Transmission inching facility on operation of a combined inching and braking pedal.

Front and rear drive axles: Permanent 4WS and 4WD.

- Rear axle oscillation.

- Automatic torque transfer system between front and back axles.

- Maximum travel speed 20tph (2.4mph).

BRAKES

Service brake: Hydraulically activated, drum brake on the front wheel motors.

Parking brake: Manually operated drum brake on the front wheel motors.

BOOM AND CARRIAGE

Boom is manufactured from high tensile steel.

Low maintenance: hard wearing pads.

JCB tool carrier parallel lift carriage with manual pin locking, accepts forklift frame with integral pallet forks and a wide range of attachments.

Compact Tool Carrier: Compact Loadall compatibility.

Skid Steer Tool Carrier: Skid steer universal compatibility hitch.

SERVICE CAPACITIES

	litres (UK gal)
Fuel tank	50 (11)
Hydraulic tank	38 (8.4)

ELECTRICS

12V negative earth, 60AH heavy-duty battery, 80 amp alternator.

HYDRAULICS

Machine model		515-40
Max service pump operating system pressure	bar (psi)	230 (3336)
Flow at system pressure (@ 2800rpm)	l/min (ga/min)	47.6 (10.5)
Maximum auxiliary flow (@ 130bar)	l/min (ga/min)	47.6 (10.5)
Cycle times		seconds
Boom raise		7.3
Boom lower		5.4
Extend		5.8
Retract		3.7
Bucket dump		2.8
Bucket crowd		3.9

SAFETY CHECK VALVES

Fitted to crowd, extension and lift rams.

CAB

Quiet, safe and comfortable cab conforms to ROPS ISO3471 and FOPS ISO 3449. Internal noise 85 Lpa. Facio console. Arm rest. Tinted glass all round with laminated front and roof screen. Front, rear screen wash/wipe and heater/screen demister. Opening door window. Optional air conditioning or face-level fan. Visual warning system for coolant temperature, engine oil pressure, air cleaner battery charge, transmission oil pressure, engine temperature, fuel gauge and hourmeter. Boom control lever incorporating forward/reverse switch. Throttle and brake pedals floor mounted. Optional fabric or vinyl adjustable. Adjustable deluxe suspension seat with side mounted park brake lever. Automatic eye level audio-visual load moment indicator warning system receiving a signal from a load sensor or the rear axle. This system continuously monitors the machine's forward stability and leaves the operator in control at all times.

STEERING

Full hydrostatic power steering. Permanent 4WS with 32° look front and rear axles provides exceptional manoeuvrability.

OPTIONS AND ACCESSORIES

Options: Road lights, work lights, rotating flashing beacon, fire extinguisher, front screen guard, sun blind, traction, industrial or semi-turf tyres, chaff guard, canopy, mechanical compact loadall quickhitch or Skid Steer quickhitch battery isolator, industrial or semi-turf tyres, chaff guards, canopy. **Cab options:** Air conditioning, face level fan, opening door window, screen guard.

Attachments: Compact loadall quickhitch: GP shovel with teeth or toeplate, industrial or floating forks, bale spika, power grab. Skid Steer Quickhitch: GP shovel with teeth or toeplate, 6-in-1 shovel, industrial or floating forks, industrial grapple, sweeper/collector, muck fork and grab, low back snow.

WINNER HANDLING

SUSSEX: 01903 230700

SURREY: 01483 456789

EMAIL: SALES@WINNERHANDLING.CO.UK